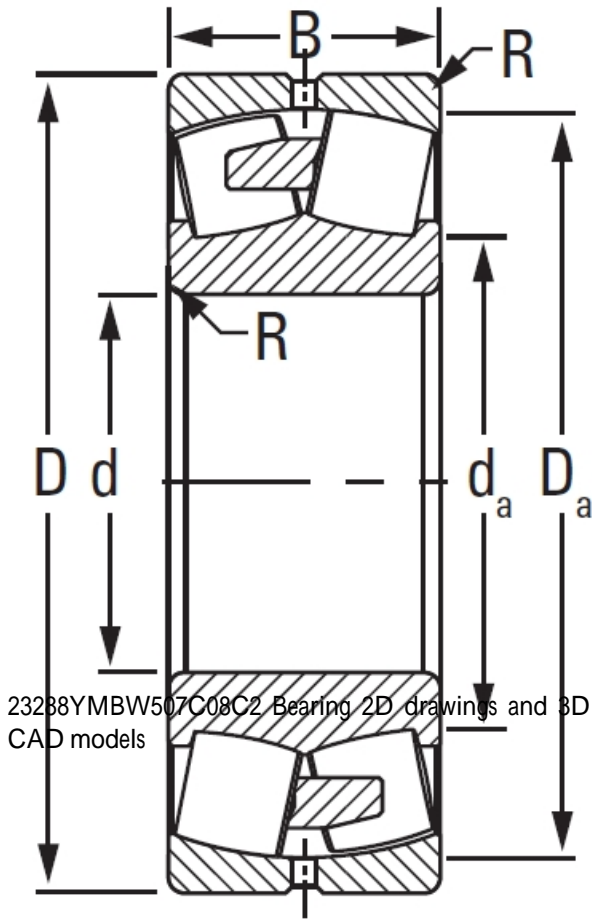




# JOP BEARING MFG. CORP.

## 23288YMBW507C08C2 TIMKEN Spherical Roller Bearings Steel Cage

Bearing No. 23288YMBW507C08C2



23288YMBW507C08C2 Bearing 2D drawings and 3D CAD models

Design Unit	METRIC
Bearing Weight	602.000 Kg
Cage Type	YMB
UPC Code	087796141551
Cage Material	Brass
d	440.000 mm
D	790.000 mm
B - Inner Ring Width	280 mm
B - Outer Ring Width	280.000 mm
R - Inner Ring To Clear Radius <sup>1</sup>	6.000 mm
r - Outer Ring To Clear Radius <sup>2</sup>	6.000 mm
da - Inner Ring Backing Diameter	512.000 mm
Da - Outer Ring Backing Diameter	710.000 mm
C0 - Static Radial Rating	13200000 N
C1(2) - Dynamic Radial Rating (Two-Rows)	8090000 N
e - ISO Factor <sup>3</sup>	0.35
Y0 - ISO Factor <sup>4</sup>	1.95
Y1 - ISO Factor <sup>5</sup>	2.91
Y2 - ISO Factor <sup>6</sup>	1.91
Reference Thermal Speed Rating (Grease)	300
Reference Thermal Speed Rating (Oil) <sup>7</sup>	320



## JOP BEARING MFG.CORP.

Cg - Geometry Factor <sup>8</sup>	0.101
-----------------------------------	-------