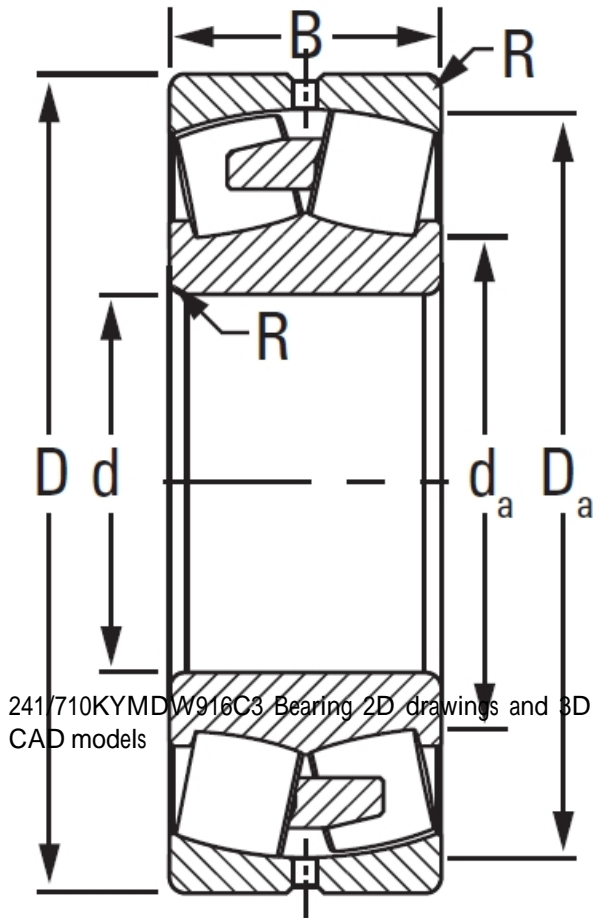




# JOP BEARING MFG. CORP.

## 241/710KYMDW916C3 TIMKEN Spherical Roller Bearings Steel Cage

Bearing No. 241/710KYMDW916C3



Design Unit	METRIC
Bore Taper	1/30
Bearing Weight	1754.700 Kg
Cage Type	YMD
Cage Material	Brass
d	710.000 mm
D	1150.000 mm
B - Inner Ring Width	438 mm
B - Outer Ring Width	438.000 mm
R - Inner Ring To Clear Radius <sup>1</sup>	7.000 mm
r - Outer Ring To Clear Radius <sup>2</sup>	7.000 mm
da - Inner Ring Backing Diameter	795.000 mm
Da - Outer Ring Backing Diameter	1051.000 mm
C0 - Static Radial Rating	33800000 N
C1(2) - Dynamic Radial Rating (Two-Rows)	17400000 N
e - ISO Factor <sup>3</sup>	0.36
Y0 - ISO Factor <sup>4</sup>	1.89
Y1 - ISO Factor <sup>5</sup>	2.81
Y2 - ISO Factor <sup>6</sup>	1.84
Reference Thermal Speed Rating (Grease)	110
Reference Thermal Speed Rating (Oil) <sup>7</sup>	120



## JOP BEARING MFG.CORP.

Cg - Geometry Factor <sup>8</sup>	0.1325
-----------------------------------	--------