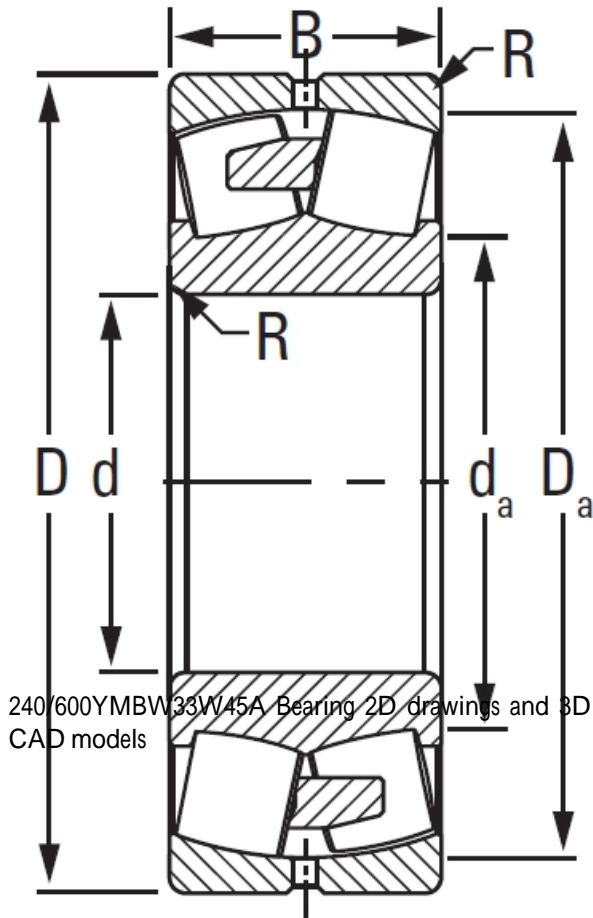




# JOP BEARING MFG. CORP.

## 240/600YMBW33W45A TIMKEN Tapered Roller Bearings Tapered Single Imperial

Bearing No. 240/600YMBW33W45A



Design Unit	METRIC
Bearing Weight	538.900 Kg
Cage Type	YMB
UPC Code	087796141742
Cage Material	Brass
d	600.000 mm
D	870.000 mm
B - Inner Ring Width	272 mm
B - Outer Ring Width	272.000 mm
R - Inner Ring To Clear Radius <sup>1</sup>	5.000 mm
r - Outer Ring To Clear Radius <sup>2</sup>	5.000 mm
da - Inner Ring Backing Diameter	658.000 mm
Da - Outer Ring Backing Diameter	811.000 mm
C0 - Static Radial Rating	16800000 N
C1(2) - Dynamic Radial Rating (Two-Rows)	8040000 N
e - ISO Factor <sup>3</sup>	0.28
Y0 - ISO Factor <sup>4</sup>	2.44
Y1 - ISO Factor <sup>5</sup>	3.64
Y2 - ISO Factor <sup>6</sup>	2.39
Reference Thermal Speed Rating (Grease)	270
Reference Thermal Speed Rating (Oil) <sup>7</sup>	290



# JOP BEARING MFG. CORP.

Cg - Geometry Factor <sup>8</sup>	0.1167
-----------------------------------	--------