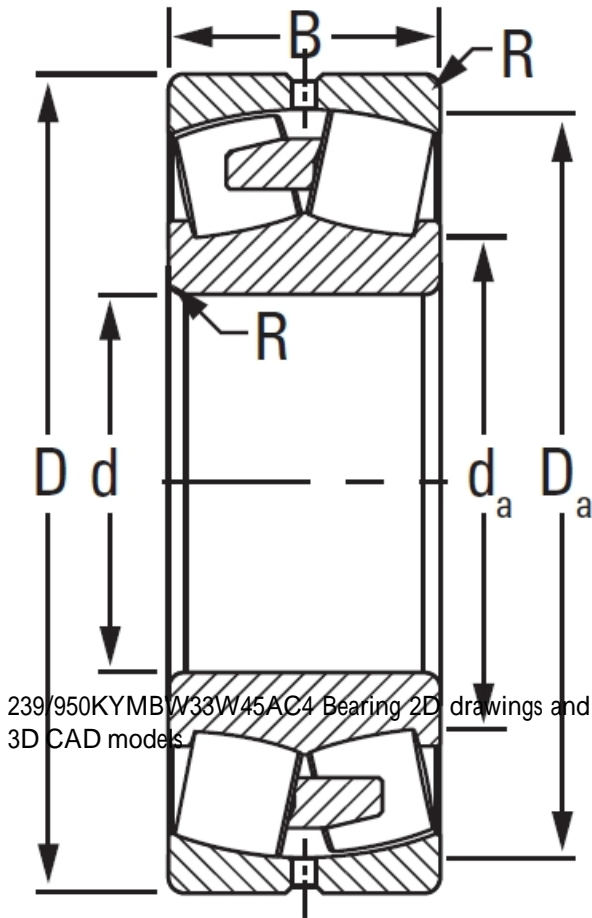




JOP BEARING MFG. CORP.

239/950KYMBW33W45AC4 TIMKEN Tapered Roller Bearings Tapered Single Imperial

Bearing No. 239/950KYMBW33W45AC4



239/950KYMBW33W45AC4 Bearing 2D drawings and 3D CAD models

Design Unit	METRIC
Bore Taper	1/12
Bearing Weight	712.700 Kg
Cage Type	YMB
Cage Material	Brass
d	950.000 mm
D	1250.000 mm
B - Inner Ring Width	224 mm
B - Outer Ring Width	224.000 mm
R - Inner Ring To Clear Radius ¹	6.000 mm
r - Outer Ring To Clear Radius ²	6.000 mm
da - Inner Ring Backing Diameter	1026.000 mm
Da - Outer Ring Backing Diameter	1186.000 mm
C0 - Static Radial Rating	20400000 N
C1(2) - Dynamic Radial Rating (Two-Rows)	8690000 N
e - ISO Factor ³	0.15
Y0 - ISO Factor ⁴	4.43
Y1 - ISO Factor ⁵	6.6
Y2 - ISO Factor ⁶	4.33
Reference Thermal Speed Rating (Grease)	230
Reference Thermal Speed Rating (Oil) ⁷	260



JOP BEARING MFG.CORP.

Cg - Geometry Factor ⁸	0.146
-----------------------------------	-------