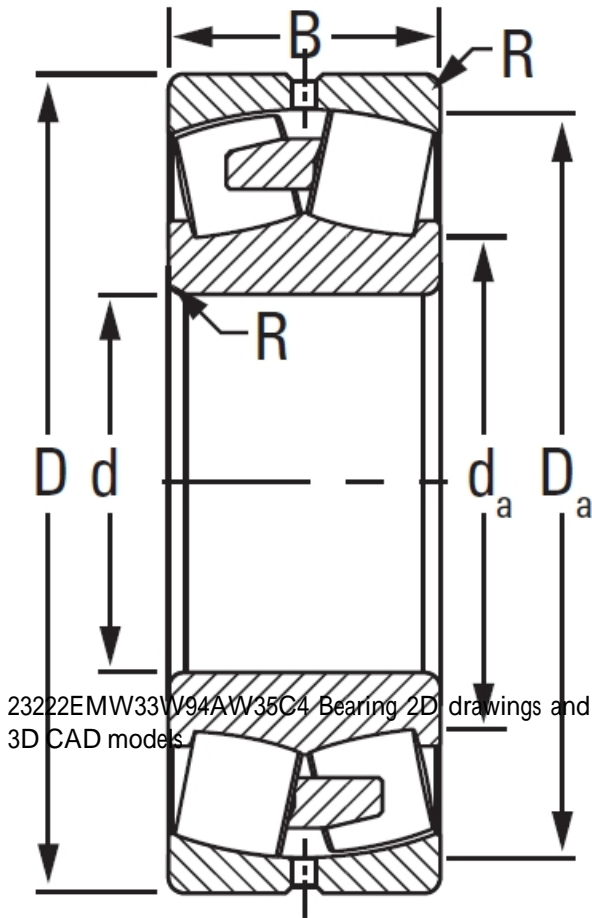




JOP BEARING MFG. CORP.

23222EMW33W94AW35C4 TIMKEN Tapered Roller Bearings Tapered Single Imperial

Bearing No. 23222EMW33W94AW35C4



23222EMW33W94AW35C4 Bearing 2D drawings and 3D CAD models

Design Unit	METRIC
Bearing Weight	9.6 Kg
Cage Type	EM
UPC Code	087796082212
Cage Material	Brass
Superseded Part	23222YMW33W94AW35C4
d	110 mm
D	200 mm
B - Inner Ring Width	69.8 mm
B - Outer Ring Width	69.800 mm
R - Inner Ring To Clear Radius ¹	2.0 mm
r - Outer Ring To Clear Radius ²	2.0 mm
da - Inner Ring Backing Diameter	131.000 mm
Da - Outer Ring Backing Diameter	182.000 mm
C0 - Static Radial Rating	887000 N
C1(2) - Dynamic Radial Rating (Two-Rows)	710000 N
e - ISO Factor ³	0.32
Y0 - ISO Factor ⁴	2.11
Y1 - ISO Factor ⁵	3.14
Y2 - ISO Factor ⁶	2.06
Reference Thermal Speed Rating (Grease)	2000



JOP BEARING MFG.CORP.

Reference Thermal Speed Rating (Oil) ⁷	2300
Cg - Geometry Factor ⁸	0.0743