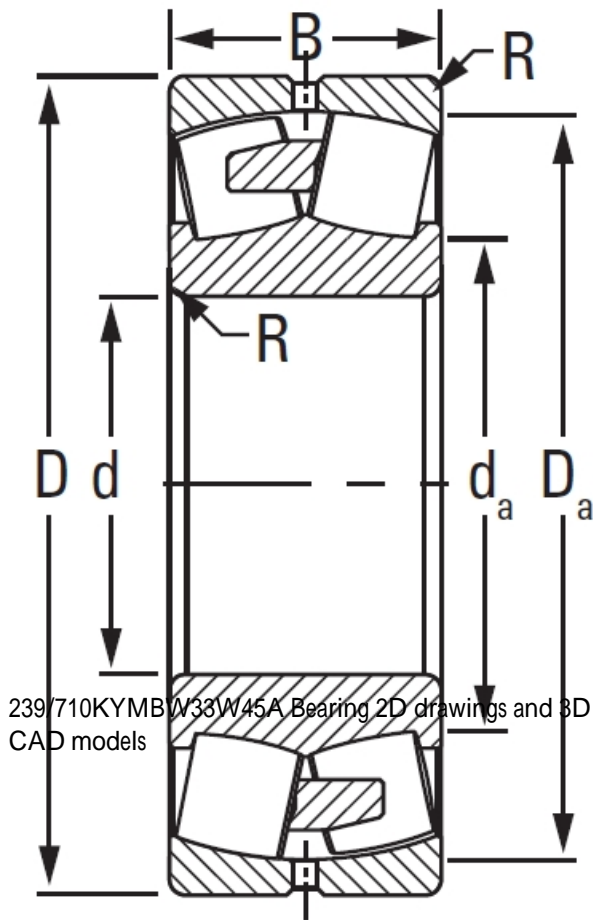




# JOP BEARING MFG. CORP.

## 239/710KYMBW33W45A TIMKEN Tapered Roller Bearings Tapered Single Imperial

Bearing No. 239/710KYMBW33W45A



Design Unit	METRIC
Bore Taper	1/12
Bearing Weight	360.600 Kg
Cage Type	YMB
UPC Code	087796360464
Cage Material	Brass
d	710.000 mm
D	950.000 mm
B - Inner Ring Width	180 mm
B - Outer Ring Width	180.000 mm
R - Inner Ring To Clear Radius <sup>1</sup>	5.000 mm
r - Outer Ring To Clear Radius <sup>2</sup>	5.000 mm
da - Inner Ring Backing Diameter	771.000 mm
Da - Outer Ring Backing Diameter	898.000 mm
C0 - Static Radial Rating	12400000 N
C1(2) - Dynamic Radial Rating (Two-Rows)	5570000 N
e - ISO Factor <sup>3</sup>	0.16
Y0 - ISO Factor <sup>4</sup>	4.13
Y1 - ISO Factor <sup>5</sup>	6.15
Y2 - ISO Factor <sup>6</sup>	4.04
Reference Thermal Speed Rating (Grease)	330



## JOP BEARING MFG.CORP.

Reference Thermal Speed Rating (Oil) <sup>7</sup>	380
Cg - Geometry Factor <sup>8</sup>	0.1285