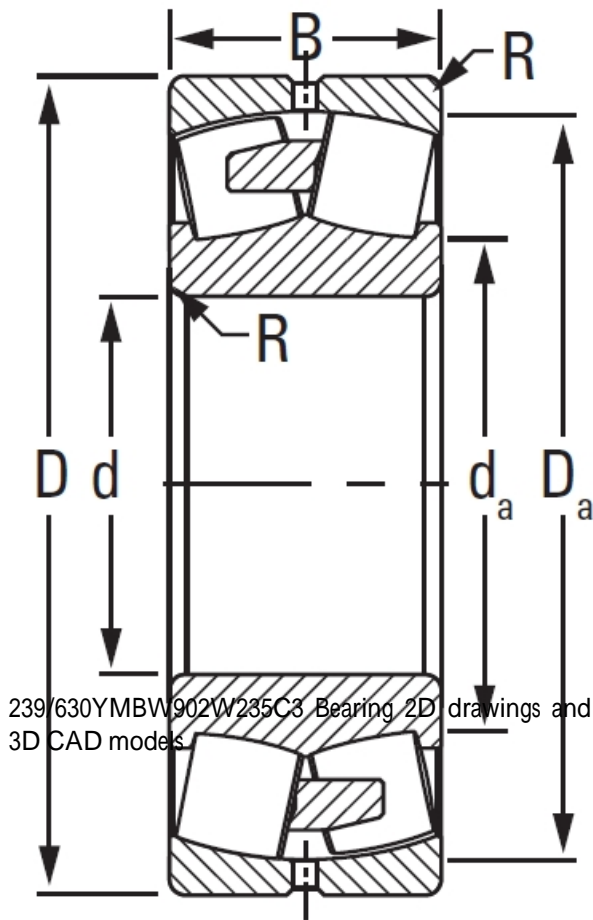




JOP BEARING MFG. CORP.

239/630YMBW902W235C3 TIMKEN Tapered Roller Bearings Tapered Single Imperial

Bearing No. 239/630YMBW902W235C3



| | |
|---|--------------|
| Design Unit | METRIC |
| Bearing Weight | 267.600 Kg |
| Cage Type | YMB |
| UPC Code | 087796141650 |
| Cage Material | Brass |
| d | 630.000 mm |
| D | 850.000 mm |
| B - Inner Ring Width | 165 mm |
| B - Outer Ring Width | 165.000 mm |
| R - Inner Ring To Clear Radius ¹ | 5.000 mm |
| r - Outer Ring To Clear Radius ² | 5.000 mm |
| da - Inner Ring Backing Diameter | 684.000 mm |
| Da - Outer Ring Backing Diameter | 804.000 mm |
| C0 - Static Radial Rating | 10100000 N |
| C1(2) - Dynamic Radial Rating (Two-Rows) | 4740000 N |
| e - ISO Factor ³ | 0.17 |
| Y0 - ISO Factor ⁴ | 4.02 |
| Y1 - ISO Factor ⁵ | 5.99 |
| Y2 - ISO Factor ⁶ | 3.93 |
| Reference Thermal Speed Rating (Grease) | 380 |
| Reference Thermal Speed Rating (Oil) ⁷ | 440 |



JOP BEARING MFG.CORP.

| | |
|-----------------------------------|--------|
| Cg - Geometry Factor ⁸ | 0.1191 |
|-----------------------------------|--------|