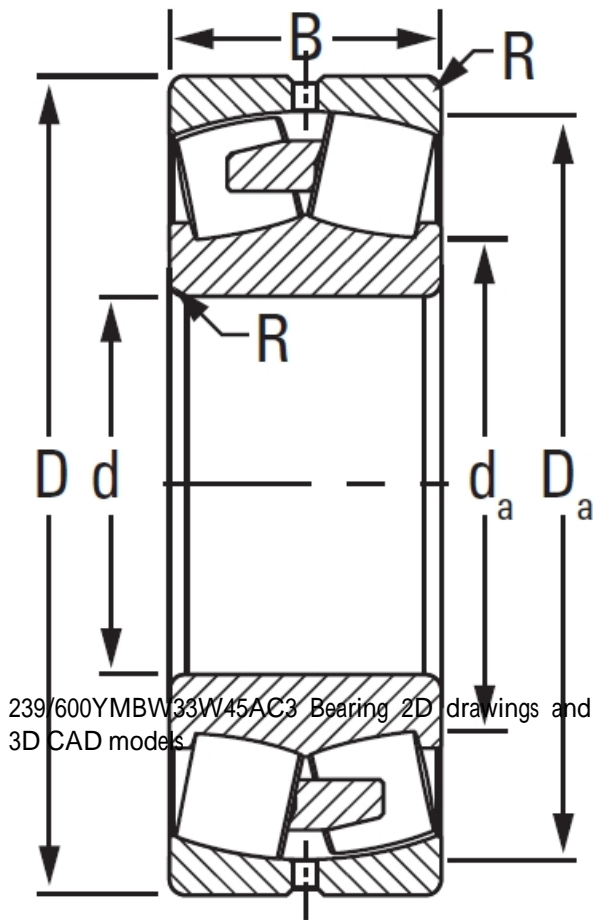




JOP BEARING MFG. CORP.

239/600YMBW33W45AC3 TIMKEN Tapered Roller Bearings Tapered Single Imperial

Bearing No. 239/600YMBW33W45AC3



Design Unit	METRIC
Bearing Weight	209.600 Kg
Cage Type	YMB
UPC Code	087796141629
Cage Material	Brass
d	600.000 mm
D	800.000 mm
B - Inner Ring Width	150 mm
B - Outer Ring Width	150.000 mm
R - Inner Ring To Clear Radius ¹	4.000 mm
r - Outer Ring To Clear Radius ²	4.000 mm
da - Inner Ring Backing Diameter	650.000 mm
Da - Outer Ring Backing Diameter	757.000 mm
C0 - Static Radial Rating	8600000 N
C1(2) - Dynamic Radial Rating (Two-Rows)	3970000 N
e - ISO Factor ³	0.16
Y0 - ISO Factor ⁴	4.2
Y1 - ISO Factor ⁵	6.25
Y2 - ISO Factor ⁶	4.11
Reference Thermal Speed Rating (Grease)	410
Reference Thermal Speed Rating (Oil) ⁷	480



JOP BEARING MFG.CORP.

Cg - Geometry Factor ⁸	0.1153
-----------------------------------	--------