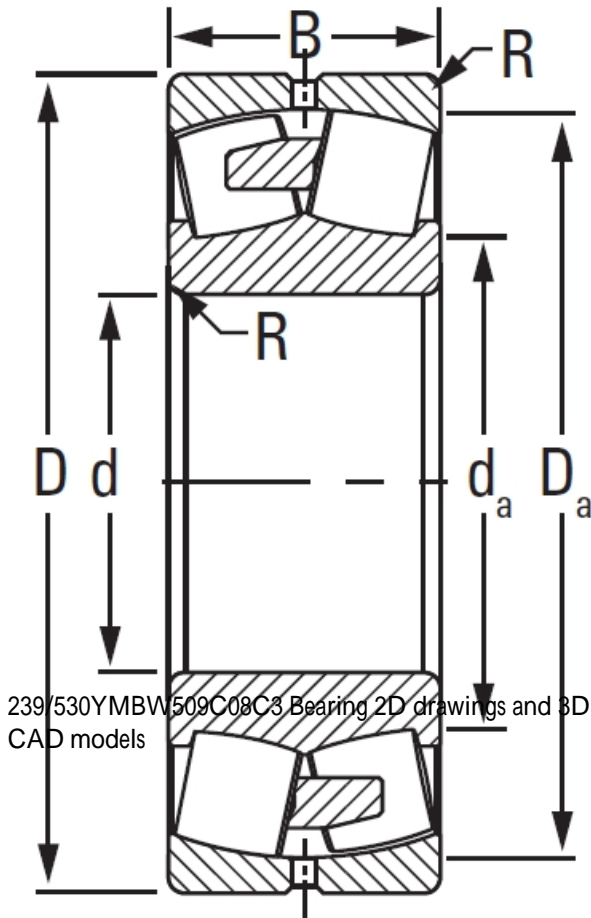




# JOP BEARING MFG. CORP.

## 239/530YMBW509C08C3 TIMKEN Tapered Roller Bearings Tapered Single Imperial

Bearing No. 239/530YMBW509C08C3



Design Unit	METRIC
Bearing Weight	150.400 Kg
Cage Type	YMB
UPC Code	087796225800
Cage Material	Brass
d	530.000 mm
D	710.000 mm
B - Inner Ring Width	136 mm
B - Outer Ring Width	136.000 mm
R - Inner Ring To Clear Radius <sup>1</sup>	4.000 mm
r - Outer Ring To Clear Radius <sup>2</sup>	4.000 mm
da - Inner Ring Backing Diameter	575.000 mm
Da - Outer Ring Backing Diameter	672.000 mm
C0 - Static Radial Rating	6880000 N
C1(2) - Dynamic Radial Rating (Two-Rows)	3270000 N
e - ISO Factor <sup>3</sup>	0.16
Y0 - ISO Factor <sup>4</sup>	4.11
Y1 - ISO Factor <sup>5</sup>	6.12
Y2 - ISO Factor <sup>6</sup>	4.02
Reference Thermal Speed Rating (Grease)	480
Reference Thermal Speed Rating (Oil) <sup>7</sup>	560



# JOP BEARING MFG. CORP.

Cg - Geometry Factor <sup>8</sup>	0.1066
-----------------------------------	--------